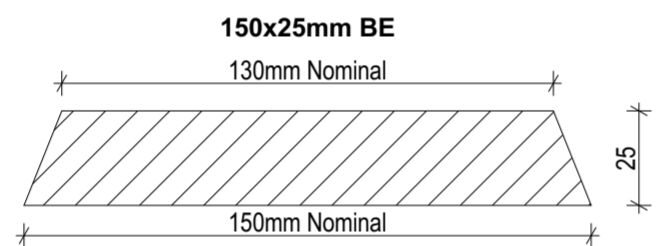
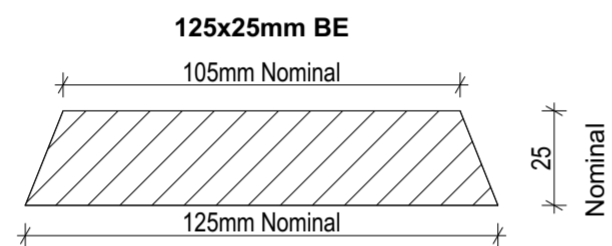
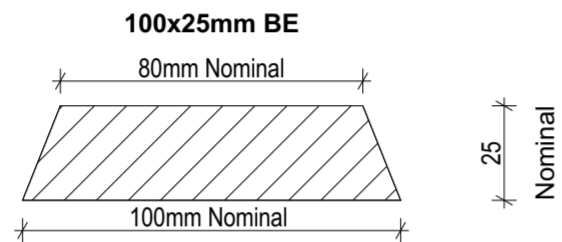
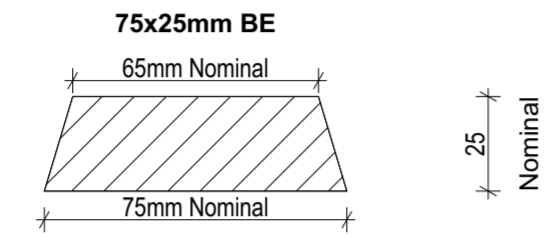
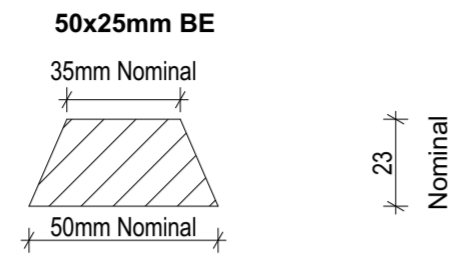


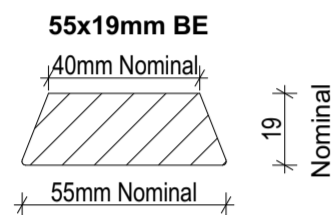
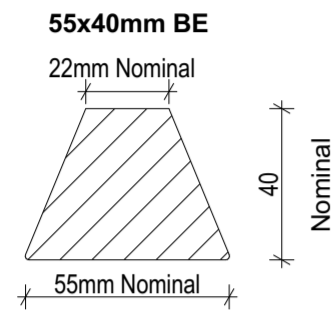
GENERAL NOTES:

- Do not scale Drawings. If drawings are in question or discrepancy, the builder shall be responsible for obtaining clarification from the building designer and or building surveyor before continuing with construction.
- All dimensions relating to existing conditions shall be field verified.
- Where otherwise specified all products shall be installed according to Radial Timbers specifications. This applies not withstanding any relevant Building Act, Regulation, Building Code of Australia, Local Government Regulation/Requirement and Australian Standard.
- Radial Timbers Bevelled Edge timbers for screening recommended gap spacing:
 - See www.radialtimbers.com.au and/or installation information contained on drawing
 - BE01 - Typical Bevelled Edge Screen Board**
- All external timbers to be treated against weather exposure to current AS 1604 specifications or no less than durability Class 1 In-Ground/Class 2 Above Ground as per AS 5604 Timber Natural Durability Ratings.
- All external steel & fixings to be a minimum of Hot Dip Galvanized or equivalent corrosion protection to AS 2311 & 2312 unless within 1Km from a salt water environment then Marine grade Stainless steel is to be used, except where noted otherwise by the NCC.
- All Residential timber framing, bracing & tie downs are to be in accordance to AS 1684 (Commercial construction specifications to be provided by Engineer).
- Compliance with the relevant National Construction Code Of Australia (NCC) Volume 1 & or Volume 2 is mandatory (Not limited to) & the GUIDE TO STANDARDS & TOLERANCES.
- Compliance with the following Australian Standards is mandatory (Not limited to):
 - AS 1684 TIMBER FRAMED CONSTRUCTION
 - AS 5604 NATURAL TIMBER DURABILITY
 - AS 3959 CONSTRUCTION IN BUSHFIRE AREAS
 - AS 2796.1 TIMBER HARDWOOD - SAWN & MILLED PRODUCTS (PRODUCT SPECIFICATION)
 - AS 1250 THE USE OF STEEL IN STRUCTURES
 - AS 4100 STEEL STRUCTURES
 - AS 2311 PAINTING OF BUILDINGS
 - AS 3600 TERMITE MANAGEMENT
 - AS 1170 STRUCTURAL DESIGN ACTIONS
 - AS 1428 DESIGN FOR ACCESS AND MOBILITY
 - AS 1675 FIXED PLATFORMS, WALKWAYS, STAIRWAYS AND LADDERS - DESIGN, CONSTRUCTION AND INSTALLATION
- All underground services (Sewer, Drainage, Gas, Electric, telecommunications, etc;) to be determined on site & from relevant authority records, prior to commencement of any construction.

Typical Rough Sawn Unseasoned Bevelled Edge (BE) Section Profile



Typical DAR (Dressed All Round) Seasoned Bevelled Edge (BE) Section Profile



Species:

- **Silvertop Ash** (Eucalyptus Sieberi) - 55x19 & 80x19mm (Rated bushfire resisting timber to maximum **BAL 29** as per **AS 3959**), Termite resistant (AS 5604) and natural durability rated as Class 2 above ground up to 25 years)

Note: Natural timber durability ratings may be significantly increased if timber is maintained such as cleaning and decking oil application as required.

Fixing Recommendations:

Setting up:

Radially sawn Screen Boards can be fixed wide or narrow face out (NOTE: in most cases, they are fixed narrow face out). Depending on the thickness, **Screen Boards can be fixed to rails or supports at centres of up to 1200mm but closer spacings will minimise movement or distortion (ie. 600 to 700mm max. centres would be advisable when fixing 19mm to 25mm thick timber).**

Installation (Screening applications):

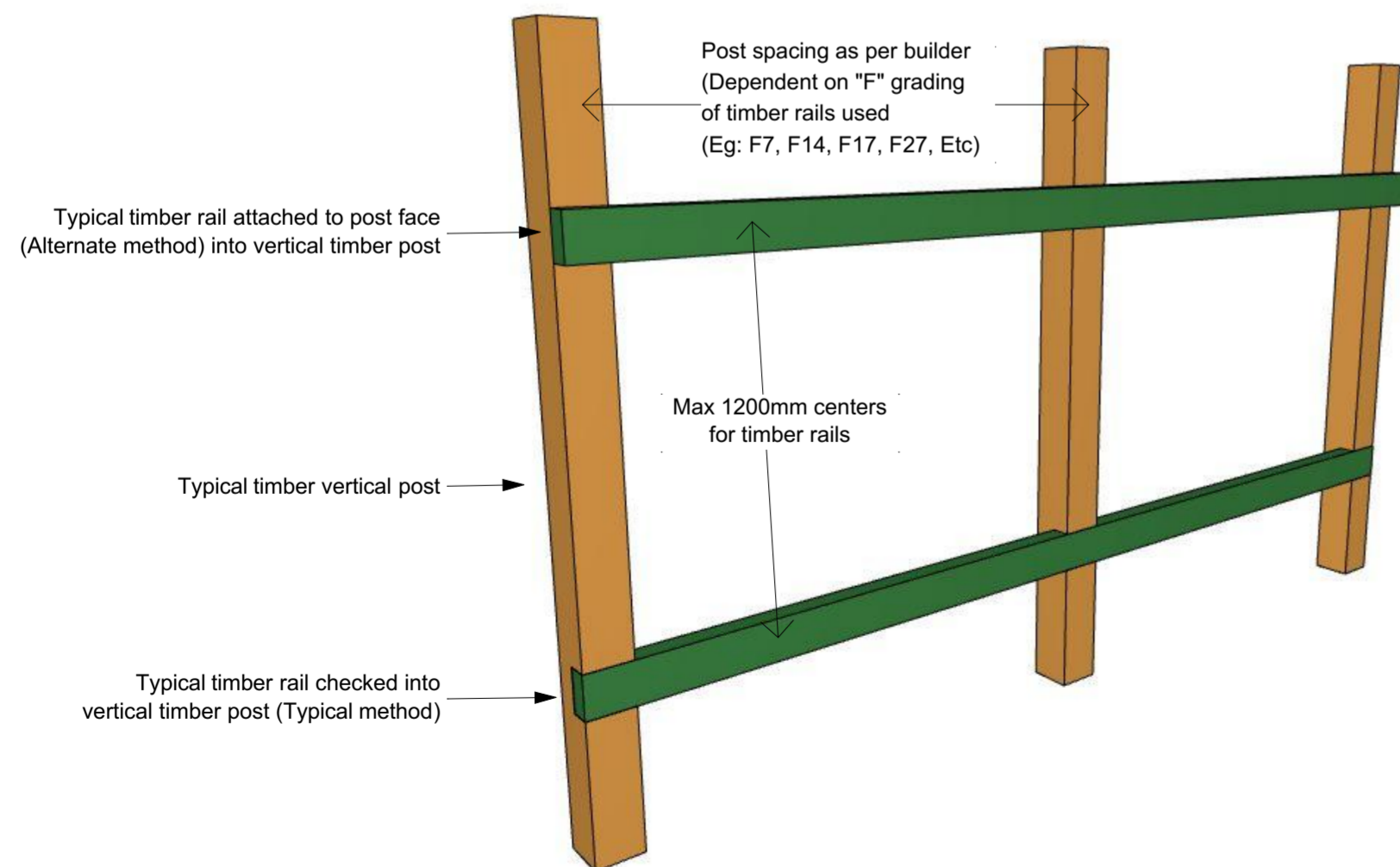
The spacings allowed between seasoned DAR boards will depend on the desired look or function of the screen, **however, a minimum spacing of 5mm should be allowed for swelling** (NOTE: most privacy or sun screens are spaced at approx. 10mm). **Unseasoned screen boards will shrink approximately 7% across their width so this should be considered when designing a screen.** Note: It is possible to place unseasoned boards only, tight together upon installation as they will shrink when naturally seasoning over time.

Fixings (Screening applications):

Boards can be hand nailed, gun nailed or screw fixed. Fixings should be at least 50mm long for 19mm to 25mm thick boards and at least 65mm long for 30mm to 50mm boards (NOTE: it is advisable to use stainless steel or hot dipped galvanised ring shank nails when fixing boards into treated pine, or twist shank nails for hardwood). Bevelled edge profiles may be "secret nailed" by skewing fasteners through the sloping sides but face fixing will give the best results. Pre-drilling may be required when fixing seasoned boards. Alternatively screw fixings of above mentioned lengths may be used.

Seasoning & Storage:

Some surface checking may occur if timber is exposed to the weather but these non structural cracks are typical in most Australian hardwoods. It is also normal for hardwoods to leach red/brown extractives during heavy rain periods. **Extractives tend to be less prominent in lighter species but it is advisable to cover or protect walls and paving until all extractives have leached** (can vary depending on rainfall but will generally continue for up to 6 months). **Packs should be stored up off the ground and under cover or protected with an additional tarp to prevent swelling. If wetting does occur, allow a min. of 24 hours for timber to dry before fixing.**



Radial BE (Bevelled Edge) Seasoned DAR - Silvertop Ash: 55x40mm



Radial BE (Bevelled Edge) Seasoned DAR - Silvertop Ash: 55x19mm (Top) 80x19mm (Bottom)



Radial BE (Bevelled Edge) Unseasoned Rough Sawn - Silvertop Ash: 50x23mm (Top) 75x25mm (Middle) 100x25mm (Bottom)



NOTES:

THE BUILDER SHALL CHECK AND VERIFY ALL DIMENSIONS AND NOTIFY ALL ERRORS AND OMISSIONS TO THE DESIGNER. DRAWINGS ARE NOT TO BE USED FOR CONSTRUCTION UNTIL ISSUED BY THE DESIGNER FOR CONSTRUCTION. DO NOT SCALE DRAWINGS. USE FIGURED DIMENSIONS ONLY. **FIXING DETAILS:** REFER TO RADIAL TIMBERS RECOMMENDED FIXINGS (www.radialtimbers.com.au)

RADIAL TIMBER SALES
12 PARK DRIVE,
DANDENONG SOUTH 3175
PH: (03) 9768 2100
FAX: (03) 9768 2177
EMAIL: sales@radialtimbers.com.au
WEB: www.radialtimbers.com.au



DRAWING NAME:
Typical Bevelled Edge Screen Board Profiles

SCALE: A2 - Not To Scale DWG NO: BE01
DATE: 12/04/2016 REVISION: 03